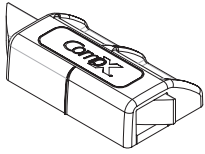
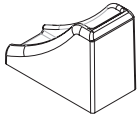
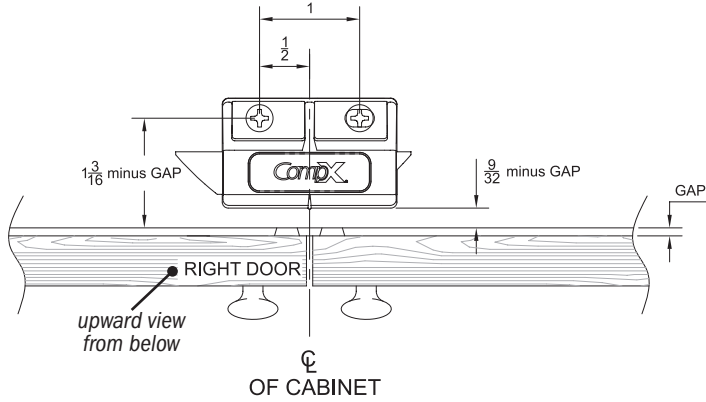


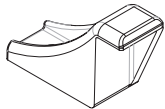
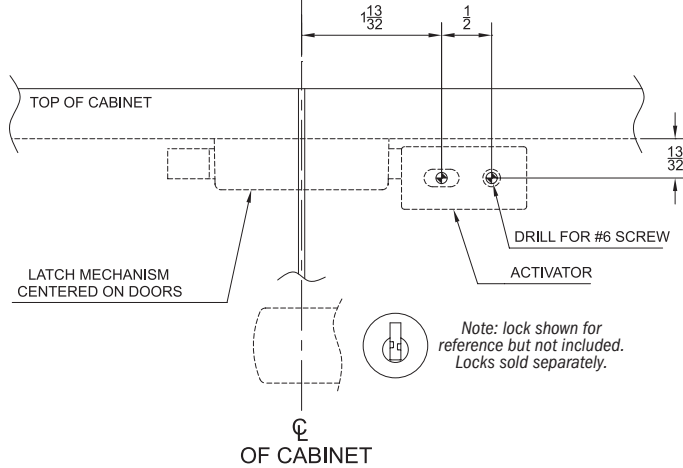
Mounting Instructions: **DL-200**
(LOCK ON **RIGHT** / **TOP MOUNTED**)



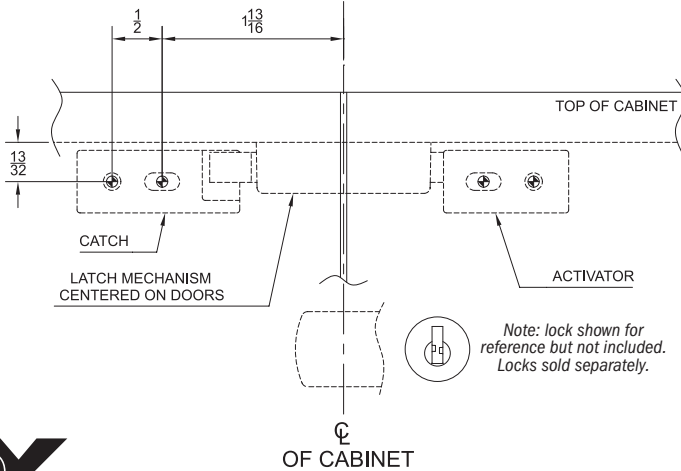
STEP 1
install latch



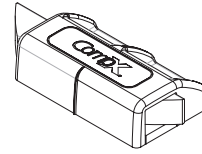
STEP 2
install activator



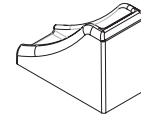
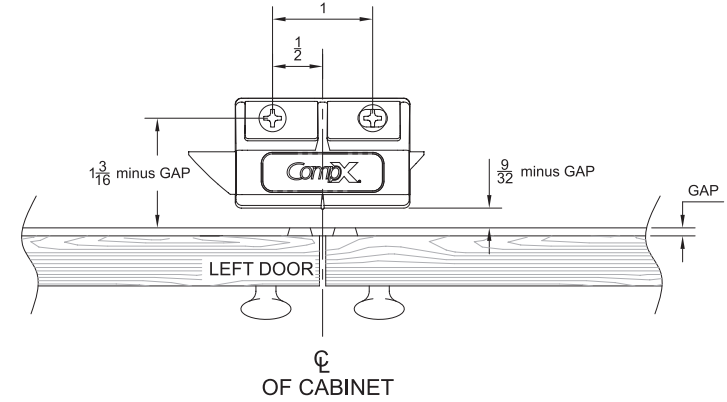
STEP 3
install catch



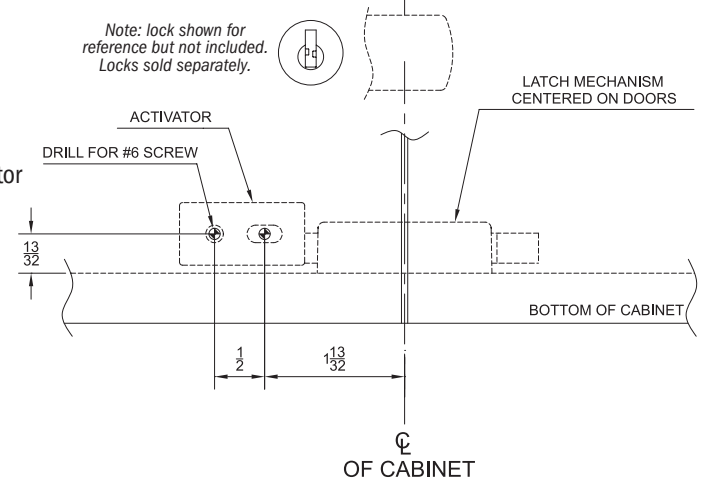
Mounting Instructions: **DL-200**
(LOCK ON **LEFT** / **BOTTOM MOUNTED**)



STEP 1
install latch



STEP 2
install activator



STEP 3
install catch

